

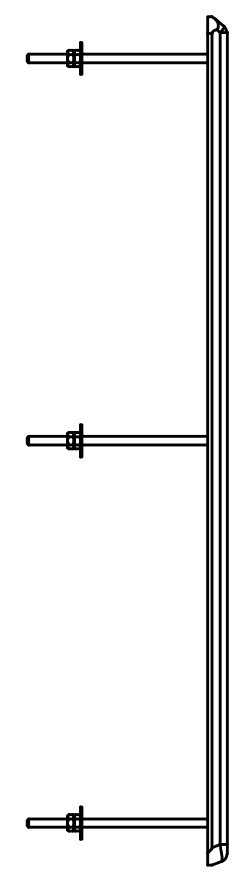
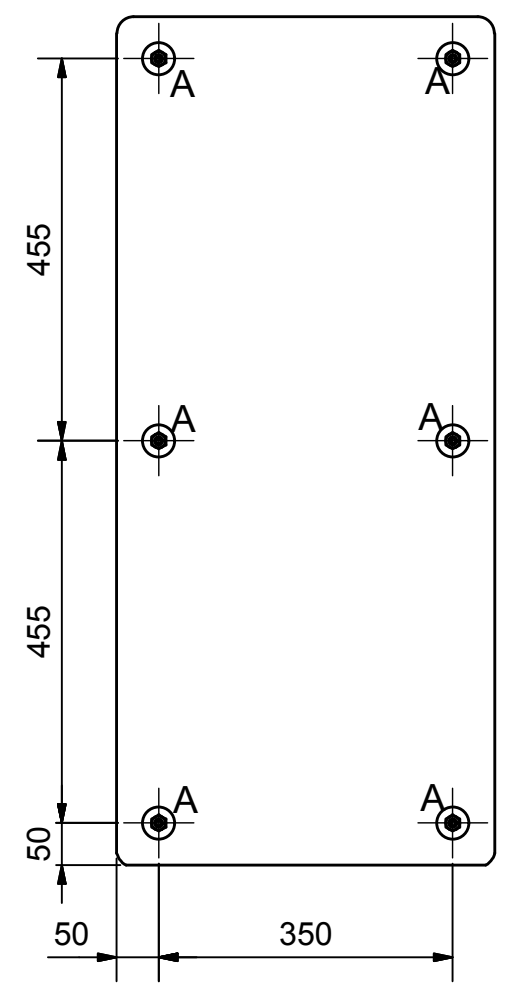
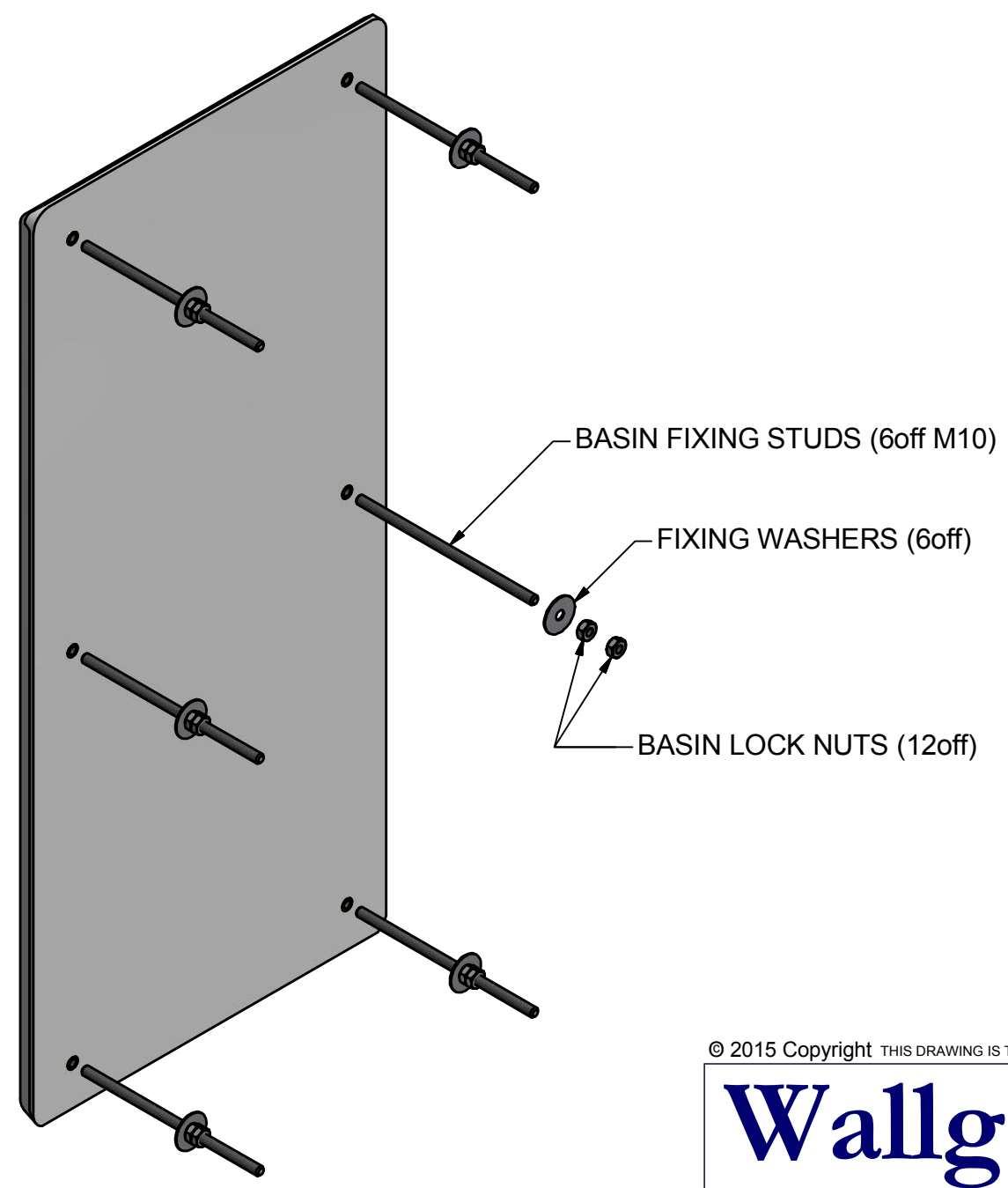
REVISION HISTORY				
REV	DATE	DESCRIPTION	BY	CHKD
1	04/01/2016	CREATED	RD	

INSTALLATION:

- IMPORTANT:** THE MIRROR MUST BE INSTALLED ONTO A FLAT SURFACE; TIGHTENING AGAINST A NON FLAT SURFACE MAY RESULT IN DAMAGE TO THE CASTING.
- HOLES SHOULD BE PROVIDED IN THE WALL (DIA. 15mm) TO SUIT THE M10 FIXING STUDS. THE POSITIONS ARE MARKED (A) ON THIS DRAWING.
- FIT THE SIX M10 FIXING STUDS TO THE THREADED INSERTS ON THE BACK OF THE MIRROR AND HAND TIGHTEN.
- LIFT THE MIRROR INTO PLACE PASSING THE STUDS THROUGH THE HOLES IN THE WALL AND ENSURE THE MIRROR SITS FLAT. (NOTE THE MIRROR WEIGHT IS 16kg. ALWAYS USE SAFE LIFTING PROCEDURES WHEN LIFTING HEAVY LOADS.)
- PLACE A WASHER AND M10 NUT ONTO EACH STUD AND TIGHTEN, ENSURING THE MIRROR SITS LEVEL. (TIGHTEN EACH NUT TO 10Nm)
- FIT A SECOND LOCK NUT ON EACH STUD AND TIGHTEN TO 10Nm.
- APPLY ANTI PICK MASTIC AROUND THE 5mm FLAT ON THE PERIMETER EDGE OF THE MIRROR SHELF AND PROFILE (USING A SUITABLE TOOL) TO FOLLOW THE ANGLE OF THE TOP OF THE SHELF. A HARD ANTI-PICK MASTIC SHOULD BE USED, SUCH AS ARBOKOL 1025 OR SIKADUR 33.

CARE AND MAINTENANCE:

- REFER TO WALLGATE CLEANING AND MAINTENANCE DOCUMENT FOR DAILY CLEANING AND RESTORATION OF THE SOLID SURFACE MIRROR SHELF CASTING.
- THE POLYCARBONATE MIRROR SHOULD BE CLEANED USING A NON ABRASIVE CLOTH WITH SOAPY WATER.



© 2015 Copyright THIS DRAWING IS THE PROPERTY OF WALLGATE LIMITED AND IS ISSUED ON THE STRICT UNDERSTANDING THAT THE INFORMATION CONTAINED WILL NOT BE REPRODUCED, COPIED OR USED WITHOUT PRIOR AGREEMENT OF WALLGATE LTD.

Wallgate TITLE: MIRROR INSTALLATION MATERIAL: Limits: (unless stated)
 Drg No: INS-ALM-06 FINISH: ± 0.25mm (sheetmetal)
 Model/Client/Project: All dimensions in mm, All angles 90° (unless stated)
 Scale: NTS
 A3 3rd